

# Stenos Modules - Installation Instructions

Modules SMD, SMA



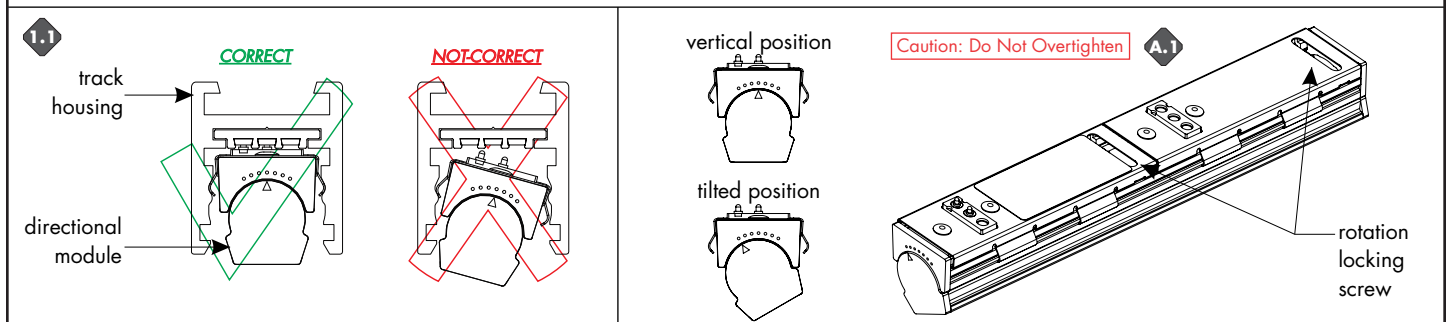
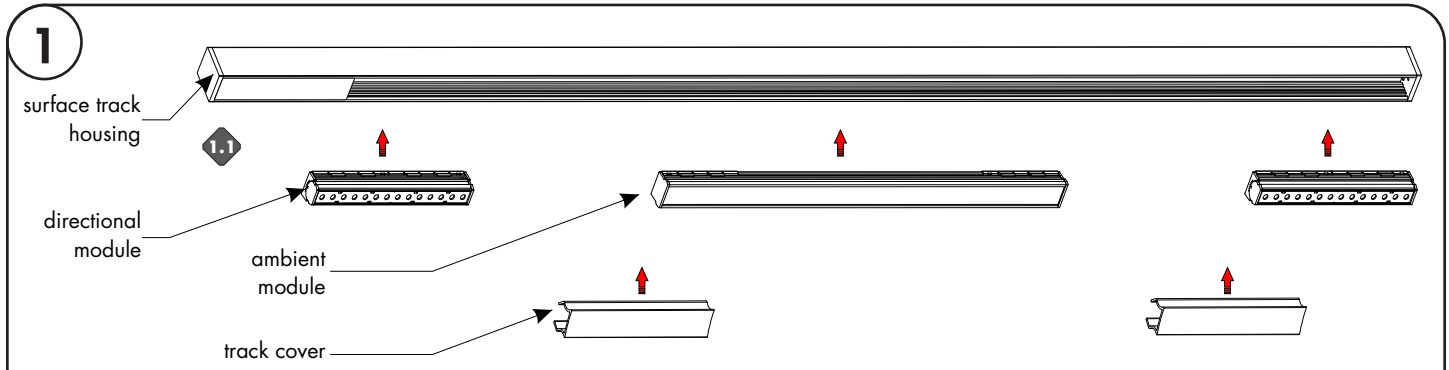
7777 Merrimac Ave  
Niles, IL 60714  
T 224.333.6033  
F 224.757.7557  
info@luminii.com  
www.luminii.com

REVO.5  
12052023

1 / 1

Please read all instructions prior to installation and keep for future reference!

1. PRODUCT TO BE INSTALLED BY A QUALIFIED ELECTRICIAN
2. USE ONLY WITH CLASS 2 POWER UNIT
3. 24 VOLTS DC
4. SUITABLE FOR WET LOCATION (COVERED CEILING)



**Note:** Total wattage of installed modules must not exceed 96W, 4A Maximum per power feed.  
**Note:** For additional information reference the complete track system installation instruction.

- 1.1 Carefully align then snap the ambient or directional module fixture into the surface/recessed track housing. Be careful to ensure that the module bracket is inserted vertically into the Track Housing, reference above. If tiling directional module reference step A.1.
- 1.2 Track Covers may be cut to length in the field & installed in between modules to create a closed aesthetic.
- 1.3 To remove Modules from Track Housing, use the provided plastic tool to pry out the modules from the ends.
- A.1 The directional modules can be aimed  $\pm 30^\circ$  by loosening the rotation locking screws and setting to the desired angle.

